

Figure 341

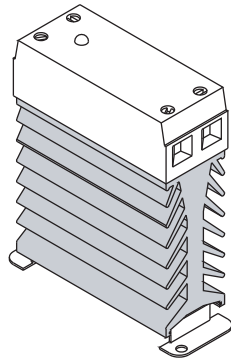


Figure 342

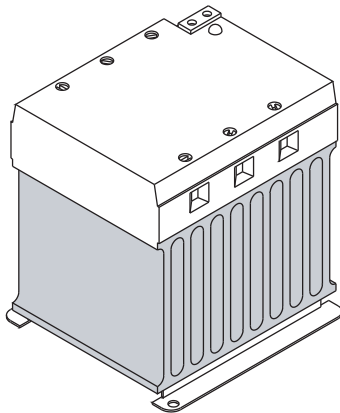


Figure 343

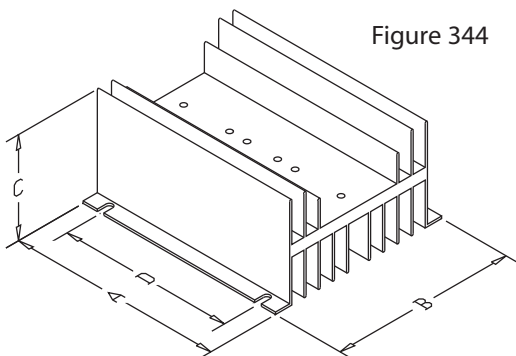


Figure 344

### Solid State Relays

Model	Maximum Voltage	Amperage	Coil Voltage
240D10	330 VAC	10 AMPS	4-28 VDC
240D25	330 VAC	25 AMPS	4-28 VDC
240D40	330 VAC	40 AMPS	4-28 VDC
600D50	600 VAC	50 AMPS	4-28 VDC
240A10	330 VAC	10 AMPS	90-280 VAC
240A25	330 VAC	25 AMPS	90-280 VDC
240A40	330 VAC	40 AMPS	90-280 VDC
600A50	600 VAC	50 AMPS	90-280 VAC

### DIN Rail Mount Solid State Relays

Model	Maximum Voltage	Amperage	Coil Voltage
DR600D25	600 VAC	25 AMPS	4-28 VDC
DR600D40	600 VAC	40 AMPS	4-28 VDC
DR600D75	600 VAC	75 AMPS	4-28 VDC
DR600A25	600 VAC	25 AMPS	90-280 VDC
DR600A40	600 VAC	40 AMPS	90-280 VAC
DR600A75	600 VAC	75 AMPS	90-280 VDC

### DIN Rail Mount Solid State Relays - 3 phase

Model	Maximum Voltage	Amperage	Coil Voltage
DR600D30-3	600 VAC	30 AMPS	4-28 VDC
DR600A30-3	600 VAC	30 AMPS	90-280 VDC

### Heat Sinks

Model	A	B	C	D
HSP1	5.500"	4.750"	2.630"	4.50"
HSP2	2.750"	4.750"	2.630"	N/A