

1 Pole

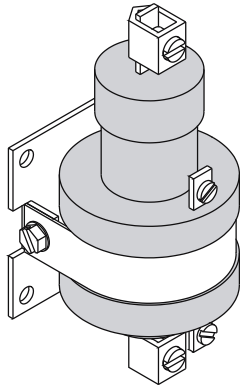


Figure 345

2 Pole

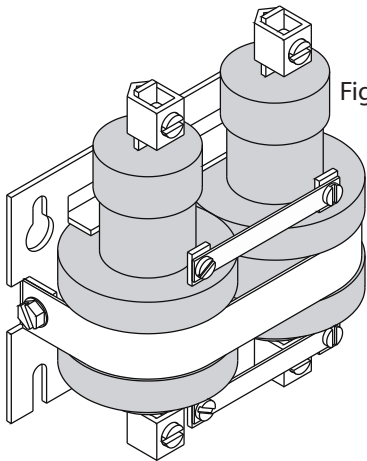


Figure 346

3 Pole

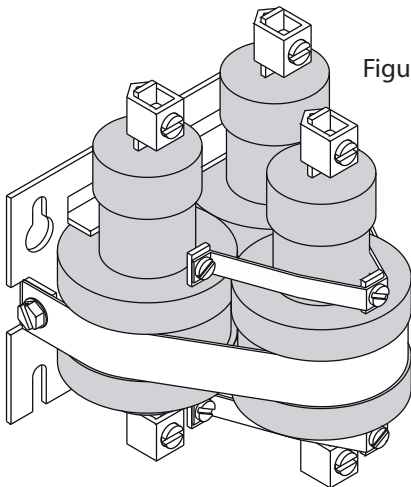


Figure 347

Standard Relays

35 AMP Relays

Style	Part Number	Coil Voltage
1 Pole Normally Open	1035A120AC 1035A240AC	120 VAC 220VAC
2 Pole Normally Open	2035A120AC 2035A240AC	120 VAC 220 VAC
3 Pole Normally Open	3035A120AC 3035A240AC	120 VAC 220 VAC

60 AMP Relays

Style	Part Number	Coil Voltage
1 Pole Normally Open	1060APS120AC 1060APS240AC	120 VAC 220VAC
2 Pole Normally Open	2060APS120AC 2060APS240AC	120 VAC 220 VAC
3 Pole Normally Open	3060APS120AC 3060APS240AC	120 VAC 220 VAC

Bold numbers indicate stocked items

Please contact us for items with non-standard amperages or coil voltages. Many configurations available