



### HDA Series Strip Heaters

A Dim.	B Dim.	HL	Watts	Watts/ sq. in.	Rust Resisting Iron Sheath	
					120 volts	240 volts
5 1/2	4 1/2	2	125	14	HDA-055C-0001	HDA-055C-0002
6	5	2 1/2	150	14	HDA-060C-0003	HDA-060C-0004
7 1/2	6 1/2	3 1/2	100	8	HDA-075A-0001	
			150	12	HDA-075A-0002	HDA-075A-0003
			200	16		HDA-075A-0062
8	7	4	150	10	HDA-080A-0004	HDA-080A-0005
			175	12	HDA-080A-0006	HDA-080A-0007
10 1/2	9 1/2	6 1/2	250	10	HDA-105A-0008	HDA-105A-0009
12	11	8	250	9	HDA-120A-0010	HDA-120A-0011
14	13	10	300	8	HDA-140A-0012	HDA-140A-0013
15 1/4	14 1/4	11 1/4	325	8	HDA-152A-0014	HDA-152A-0015
17 7/8	16 7/8	13 7/8	250	5	HDA-178A-0016	
			350	7	HDA-178A-0017	HDA-178A-0018
			375	8	HDA-178A-0019	HDA-178A-0020
			500	10	HDA-178A-0021	HDA-178A-0022
19 1/2	18 1/2	15 1/2	350	6	HDA-195A-0023	HDA-195A-0024
			500	9	HDA-195A-0025	HDA-195A-0026
21	20	17	500	8	HDA-210A-0027	HDA-210A-0028
23 3/4	22 3/4	19 3/4	500	7	HDA-237A-0029	HDA-237A-0030
			750	10	HDA-237A-0032	HDA-237A-0033
25 1/2	24 1/2	21 1/2	500	6	HDA-255A-0034	HDA-255A-0035
			750	9	HDA-255A-0036	HDA-255A-0037
26 3/4	25 3/4	22 3/4	700	8	HDA-267A-0038	HDA-267A-0039
30 1/2	29 1/2	26 1/2	750	8	HDA-305A-0040	HDA-305A-0041
33 1/2	32 1/2	29 1/2	750	7	HDA-335A-0042	HDA-335A-0043
35 7/8	34 7/8	31 7/8	1000	8	HDA-358A-0044	HDA-358A-0045
38 1/2	37 1/2	34 1/2	800	6	HDA-385A-0046	HDA-385A-0047
			1000	8	HDA-385A-0048	HDA-385A-0049
			2000	14		HDA-385A-0057
42 1/2	41 1/2	38 1/2	1250	9	HDA-425A-0050	HDA-425A-0051
			1500	11	HDA-425A-0052	HDA-425A-0053
46	45	42	1425	9	HDA-460A-00175	
49 3/4	48 3/4	45 3/4	1150	9	HDA-497A-00176	

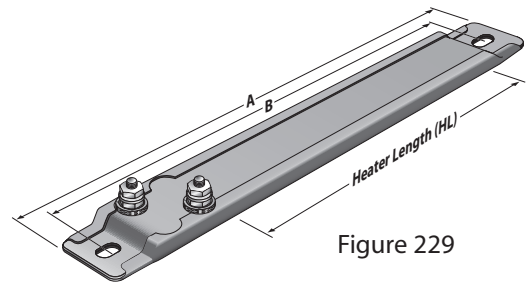


Figure 229

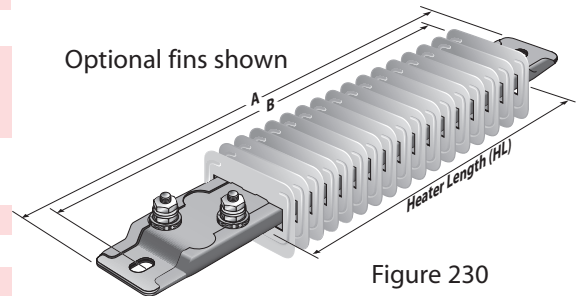


Figure 230

#### CTP

Ceramic Terminal Posts are available on all threaded terminals

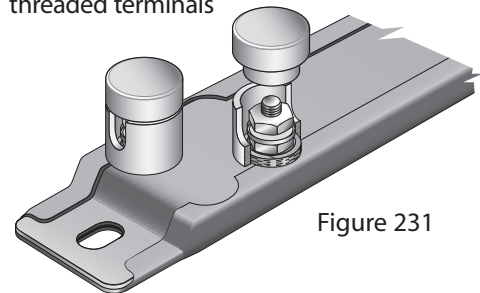


Figure 231

#### MTC

Metal Terminal Box for HD strip heaters  
T2 and T3 threaded terminals

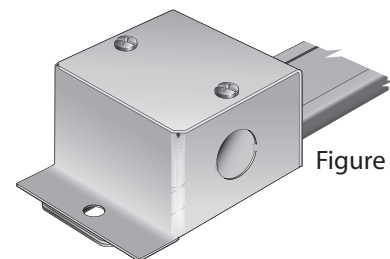


Figure 232

#### SI

Secondary Insulators for 600 volt systems

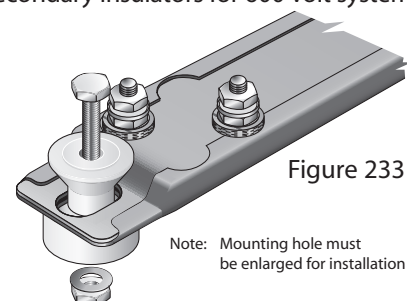


Figure 233

Note: Mounting hole must be enlarged for installation



### HDS Series Strip Heaters

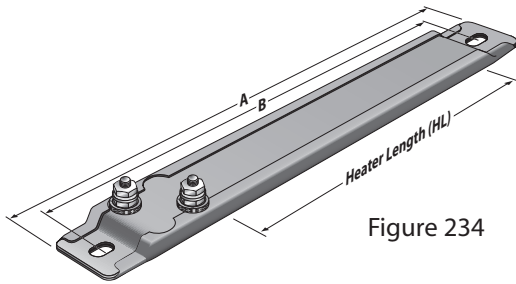


Figure 234

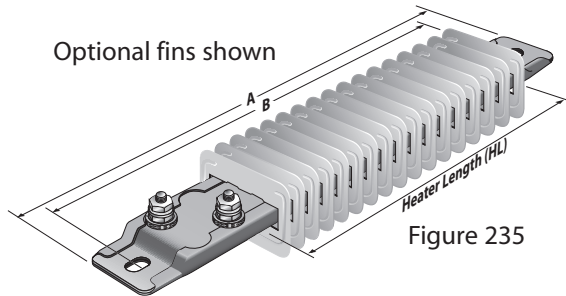


Figure 235

#### CTP

Ceramic Terminal Posts are available on all threaded terminals

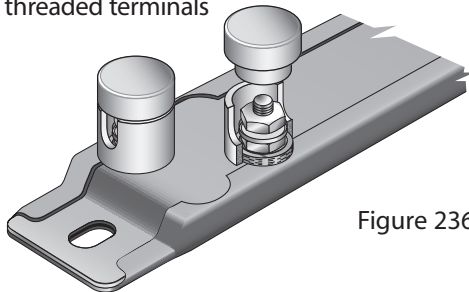


Figure 236

#### MTC

Metal Terminal Box for HD strip heaters  
T2 and T3 threaded terminals

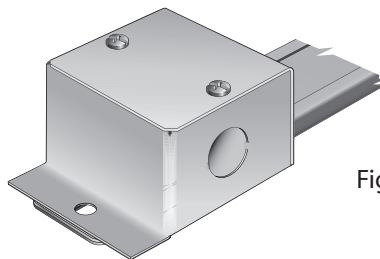


Figure 237

#### SI

Secondary Insulators for 600 volt systems

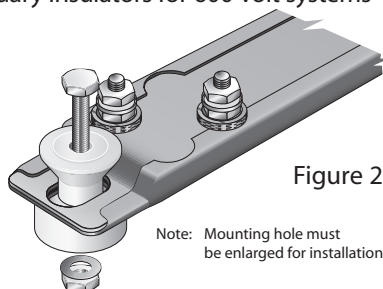
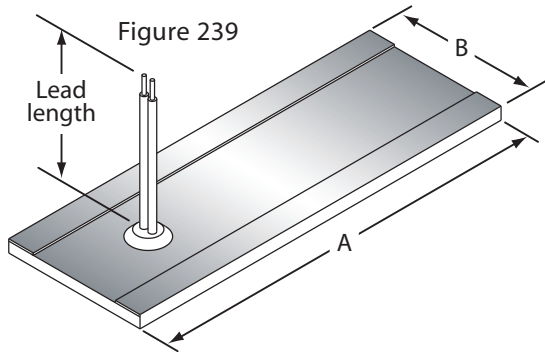


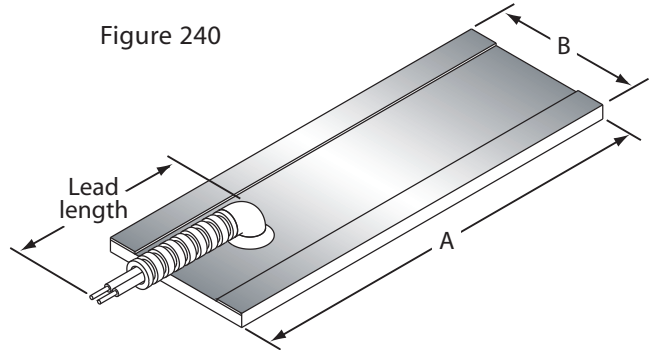
Figure 238

Note: Mounting hole must be enlarged for installation

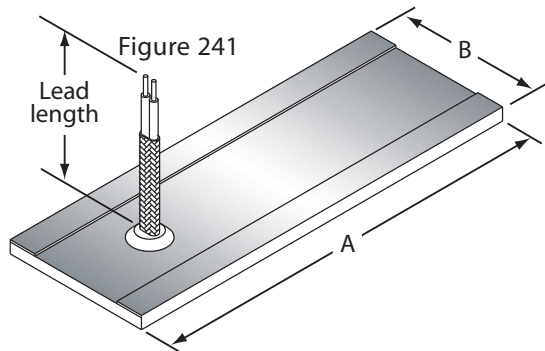
A Dim.	B Dim.	HL	Watts	Watts/ sq. in.	Stainless Steel Sheath	
					120 volts	240 volts
5 1/2	4 1/2	2	250	27	HDS-055C-0001	HDS-055C-0002
6	5	2 1/2	300	27	HDS-060C-0003	HDS-060C-0004
6	5	2	300	30		HDS-060A-0065
7 1/2	6 1/2	3 1/2	100	8	HDS-075A-0001	
			150	12	HDS-075A-0077	
			200	16	HDS-075A-0002	HDS-075A-0003
8	7	4	150	10	HDS-080A-0074	HDS-080A-0075
			250	16	HDS-080A-0004	HDS-080A-0005
			400	26	HDS-080A-0006	HDS-080A-0007
10 1/2	9 1/2	6 1/2	350	15	HDS-105A-0008	HDS-105A-0009
			400	17	HDS-105A-0010	HDS-105A-0011
12	11	8	250	9	HDS-120A-0064	
			350	14	HDS-120A-0012	HDS-120A-0013
			500	17	HDS-120A-0014	HDS-120A-0015
14	13	10	500	14	HDS-140A-0016	HDS-140A-0017
15 1/4	14 1/4	11 1/4	325	8	HDS-152A-0071	
			500	12	HDS-152A-0018	HDS-152A-0019
17 7/8	16 7/8	13 7/8	250	5	HDS-178A-0072	HDS-178A-0020
			350	7		HDS-178A-0021
			500	10	HDS-178A-0022	HDS-178A-0023
			750	14	HDS-178A-0024	HDS-178A-0025
			1000	19	HDS-178A-0026	HDS-178A-0027
19 1/2	18 1/2	15 1/2	500	9	HDS-195A-0028	HDS-195A-0029
			1000	18	HDS-195A-0030	HDS-195A-0031
21	20	17	750	12	HDS-210A-0032	HDS-210A-0033
23 3/4	22 3/4	19 3/4	500	7	HDS-237A-0034	HDS-237A-0035
			750	10	HDS-237A-0036	HDS-237A-0037
			1000	14	HDS-237A-0038	HDS-237A-0039
			1500	19		HDS-237A-0067
25 1/2	24 1/2	21 1/2	750	9	HDS-255A-0040	HDS-255A-0041
			1000	13	HDS-255A-0042	HDS-255A-0043
26 3/4	25 3/4	22 3/4	700	8		HDS-267A-0076
			1000	12	HDS-267A-0044	HDS-267A-0045
30 1/2	29 1/2	26 1/2	750	8		HDS-305A-0046
			1000	11	HDS-305A-0047	HDS-305A-0048
33 1/2	32 1/2	29 1/2	750	7	HDS-335A-0049	HDS-335A-0050
35 7/8	34 7/8	31 7/8	1000	8		HDS-358A-0051
			1500	13	HDS-358A-0052	HDS-358A-0053
38 1/2	37 1/2	34 1/2	1000	8	HDS-385A-0054	HDS-385A-0055
42 1/2	41 1/2	38 1/2	1250	9	HDS-425A-0056	HDS-425A-0057
			1500	11	HDS-425A-0058	HDS-425A-0059
46	45	42	1900	12		HDS-460A-00197
47 7/8	46 7/8	43 7/8	1350	9		HDS-478A-0081
			2250	14		HDS-478A-0082
49 3/4	48 3/4	45 3/4	2225	12		HDS-497A-00198
53 7/8	52 7/8	49 7/8	2500	13		HDS-538A-00100



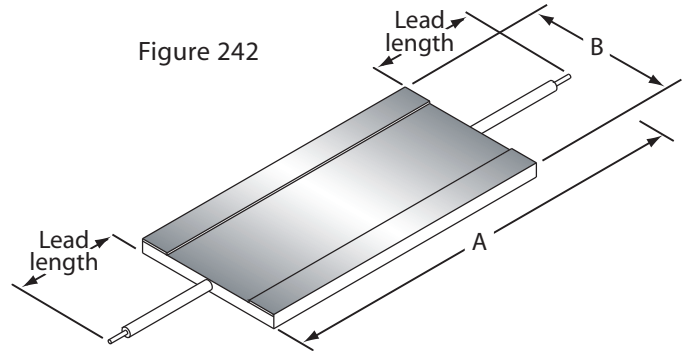
**Fiberglass Leads-** Specify location and length of leads at time of order.



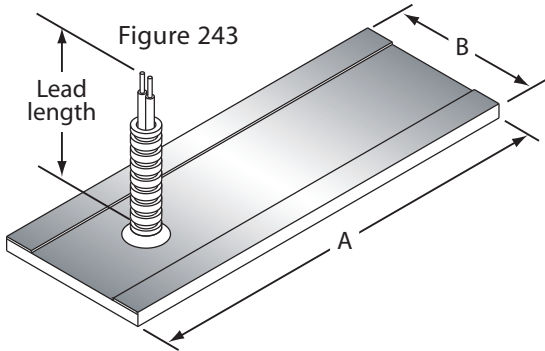
**90 Degree Armor Cable with Fiberglass Leads-** Specify location and length of leads at time of order.



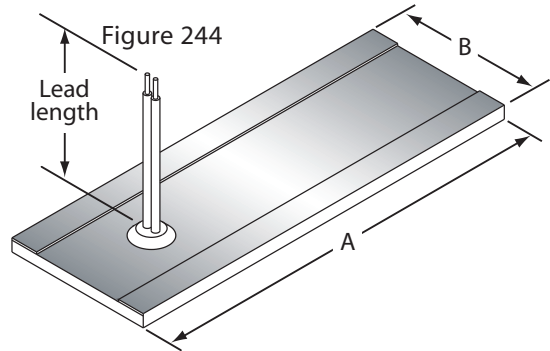
**Metal Braid with Fiberglass Leads-** Specify location and length of leads at time of order.



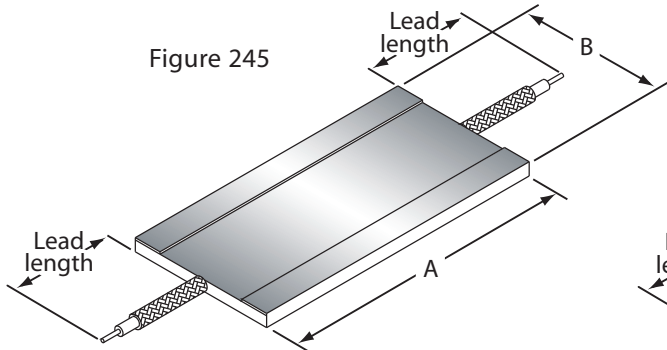
**Fiberglass Leads with Protective Sleeve-** Leads exit midway of either edge. Specify length at time of order



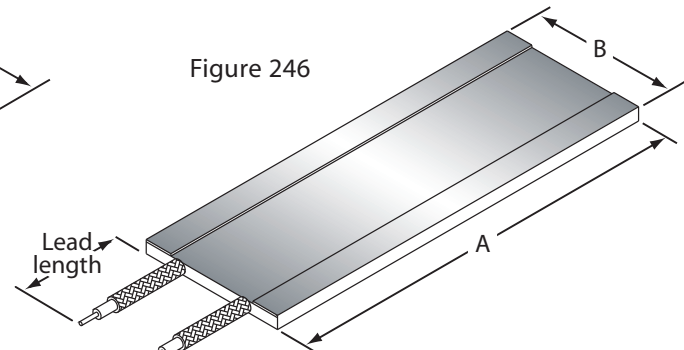
**Armor Cable with Fiberglass Leads-** Specify location and length of leads at time of order.



**Fiberglass Leads with Protective Sleeve-** Leads exit from any edge of heater. Specify length at time of order



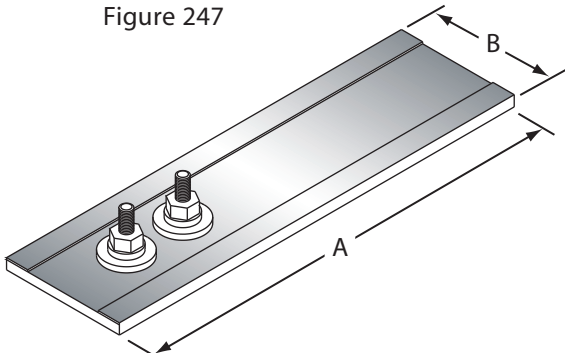
**Fiberglass Leads with Metal Braid-** Leads exit midway of either edge. Specify length at time of order



**Fiberglass Leads with Metal Braid-** Leads exit from any edge of heater. Specify length at time of order

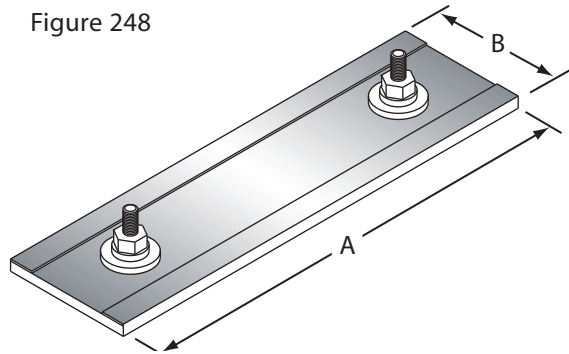


Figure 247



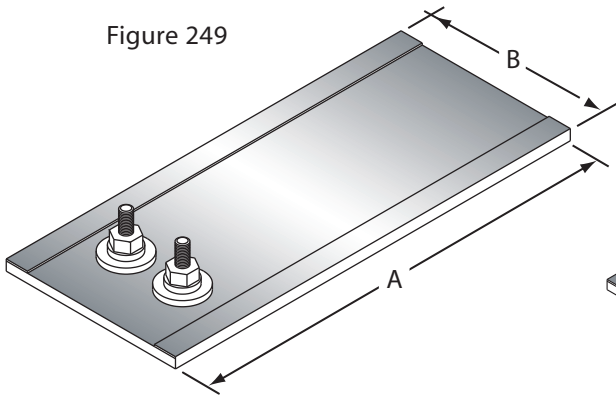
**10-32 Threaded Terminals** - Minimum width required- 7/8"

Figure 248



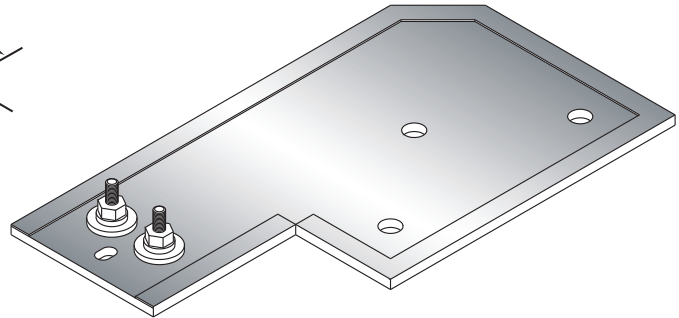
**10-32 Threaded Terminals** - Minimum width required- 7/8". Specify location at time of order

Figure 249



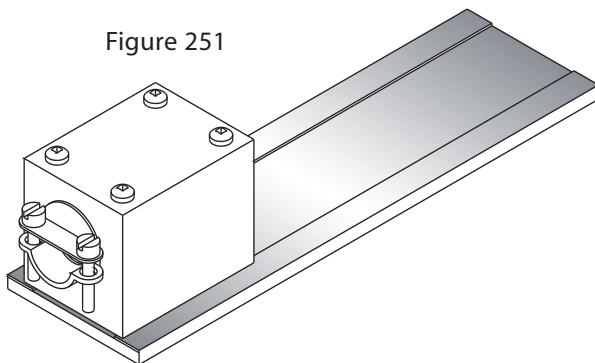
**10-32 Threaded Terminals** - Minimum width required 2.00"-Specify location at time of order

Figure 250



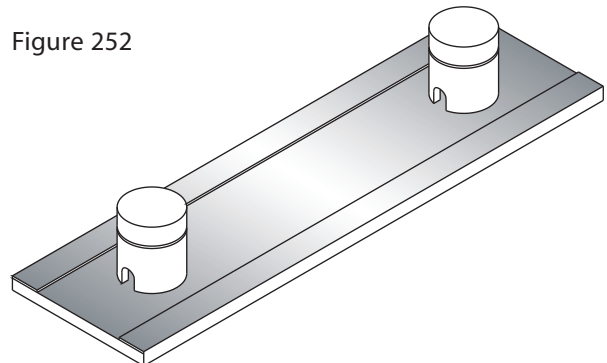
Mica strip heaters are available in irregular shapes and can be made to conform to curved surfaces. Mounting holes aid in clamping the heaters to any surface. Holes and cutouts are useful for the installation of thermocouples and for clearance of bolts and other obstructions

Figure 251



**MTC**  
Metal Terminal Box

Figure 252



**CTP**  
Ceramic Terminal Posts are available on all threaded terminals.