



ASB Heating Elements Ltd.

1" NPT Screw Plug Immersion Heater

Standard (SP series)

General Purpose Enclosure
no thermostat

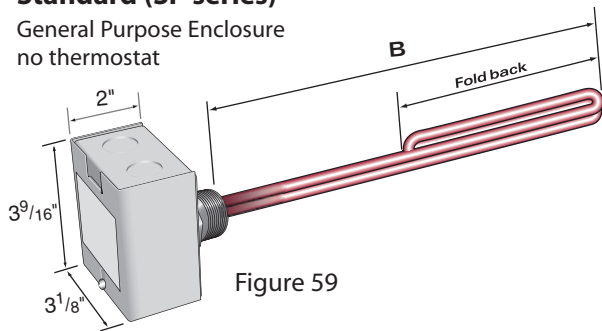


Figure 59

With thermostat (ASP series)

General Purpose Enclosure
with thermostat

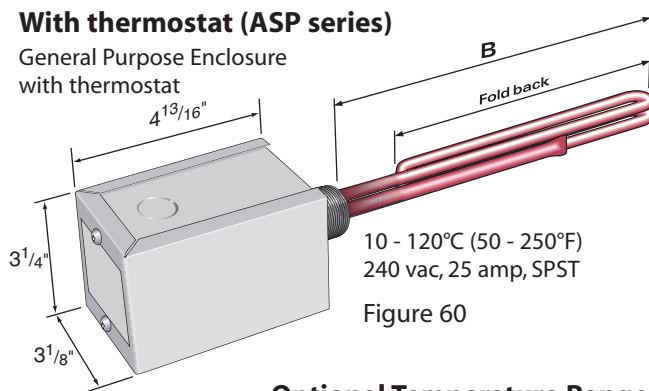


Figure 60

Optional Temperature Ranges

-16 to +40°C (0-100°F)
70-280°C (160-540°F)

Moisture Resistant or Hazardous Location - SP series

Moisture Resistant Enclosure (add suffix MR)
Hazardous Location (Explosion Resistant - add suffix ER)
Non-Thermostat version

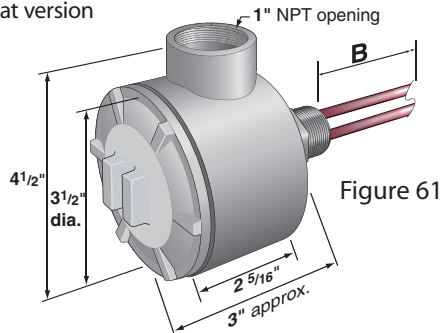


Figure 61

Moisture Resistant or Hazardous Location - ASP series

Moisture Resistant Enclosure (add suffix MR)
Hazardous Location (Explosion Resistant - add suffix ER)
Thermostat included version

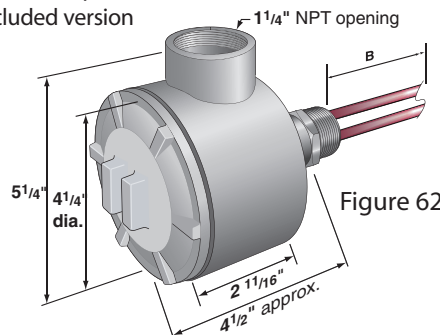


Figure 62

80 watts/in² Copper Sheath

Typically to heat:

1" brass screw plug
1 element - up to 240 volts

municipal water

(specify voltage when ordering)

watts	immersed length B dim.	fold back length	catalogue number		net weight (lb)
			Fig. 59 standard	Fig. 60 with thermostat	
500	5		SPC-0500	ASPC-0500	2
750	6 7/8		SPC-0750	ASPC-0750	2
1000	6 7/8		SPC-1000	ASPC-1000	2
1250	10		SPC-1250	ASPC-1250	2
1500	10		SPC-1500	ASPC-1500	2
2000	7 1/2	6 1/16	SPC-2000	ASPC-2000	3
3000	10 9/16	8 7/8	SPC-3000	ASPC-3000	3
4500	15 1/8	13 15/16	SPC-4500	ASPC-4500	3
5000	16 5/8	15 7/8	SPC-5000	ASPC-5000	3

25 watts/in² Incoloy Sheath

Typically to heat:

1" steel screw plug
1 element - up to 240 volts

light oils

mild caustic solution

(specify voltage when ordering)

mild alkaline solution

watts	immersed length B dim.	fold back length	catalogue number		net weight (lb)
			Fig. 59 standard	Fig. 60 with thermostat	
500	8 7/8	3	SPA-0500	ASPA-0500	1
750	10	6 1/4	SPA-0750	ASPA-0750	2
1000	11 7/8	9 1/4	SPA-1000	ASPA-1000	2
1500	18	13 1/2	SPA-1500	ASPA-1500	2
2000	22	19 1/2	SPA-2000	ASPA-2000	3

12 watts/in² Incoloy Sheath

Typically to heat:

1" steel screw plug
1 element - up to 240 volts

hydraulic oils

heavy oils

(specify voltage when ordering)

mild caustic solution

mild alkaline solution

watts	immersed length B dim.	fold back length	catalogue number		net weight (lb)
			Fig. 59 standard	Fig. 60 with thermostat	
300	8 7/8	5	SPAL-0300	ASPAL-0300	1
500	11 7/8	10 1/2	SPAL-0500	ASPAL-0500	2
750	18	14 1/2	SPAL-0750	ASPAL-0750	2
1000	22	19	SPAL-1000	ASPAL-1000	3