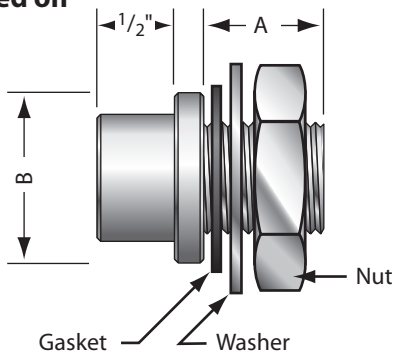
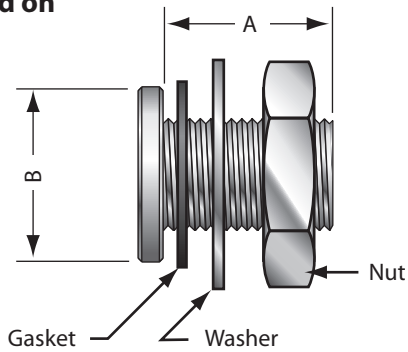


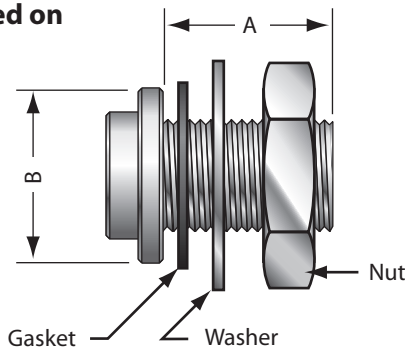
Crimped on



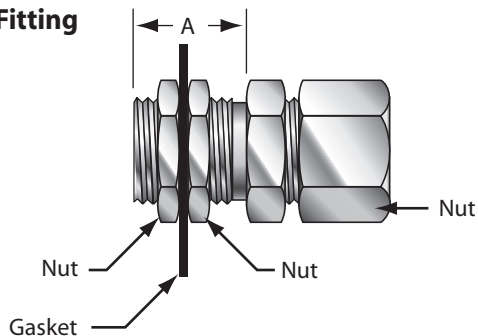
Brazed on



Welded on



Compression Fitting



Crimped on

Element Dia.	Fitting material	Liquid tight seal	A	B	Thread	Fitting No.
0.315"	Brass	No	1/2	3/4	1/2-20	C1A
			5/8	7/8	9/16-18	C2A
0.430	Brass		5/8	7/8	5/8-18	C3A

Brazed

Element Dia.	Fitting material	Liquid tight seal	A	B	Thread	Fitting No.
0.315	Brass	Yes	1/2	3/4	1/2-20	B1A
			1/2	1	5/8-18	B2A
			1/2	3/4	1/2-20	B3A
	SS		7/8	1	5/8-18	B4A
	Brass		1	7/8	1/2-20	B5A
			1	3/4	9/16-18	B6A
	SS		13/8	3/4	1/2-20	B7A
	Brass hex		3/4	3/4 hex	1/2-20	B8A
	SS hex		5/8		1/2-20	B9A
	Brass hex		3/4		1/2-20	B10A
0.375	Brass		1/2	3/4	1/2-20	B11A
	SS		7/8	1	5/8-18	B12A
	Brass		1	7/8	1/2-20	B13A
	SS hex		5/8	3/4 hex	1/2-20	B14A
0.430	Brass		7/8	1	5/8-18	B15A
	SS		7/8	1	5/8-18	B16A
	Brass		1	1	3/4-16	B17A
	Brass		1 1/8	1	5/8-18	B18A
	Brass		1 3/16	1 1/4	7/8-14	B19A

Welded

Element Dia.	Fitting material	Liquid tight seal	A	B	Thread	Fitting No.
0.430	Stainless Steel	Yes	7/8	1	5/8-18	W1A
			1 1/8	1	3/4-16	W2A
			1 1/8	1	5/8-18	W3A

Compression Fitting

Element Dia.	Fitting material	Liquid tight seal	A	B	Thread	Fitting No.
0.430	Brass	Yes	5/8		5/8-18	CF8

Compression Fitting uses

- Tank immersion applications where permanently attached fittings are unacceptable
- Oven applications where tubular has to pass through insulation
- Fitting location adjustable to meet field requirements
- removable terminal boxes